

## TREMstop Acrylic

### An Acrylic Latex Sealant

#### Product Description

TREMstop Acrylic is a gunnable acrylic latex sealant designed for use in firestop applications, including both joints and through-penetrations.

#### Basic Uses

TREMstop Acrylic is for use on metal pipe, plastic pipe, insulated pipe, cables, cable trays, ducts, static joints and dynamic joints in fire-rated concrete, wood floor/ceiling and gypsum wall assemblies. TREMstop Acrylic can also be used on sound rated assemblies.

#### Features and Benefits

TREMstop Acrylic is an easy to apply, all-purpose sealant that accepts paint once fully cured. It features excellent movement and superb unprimed adhesion to a wide range of substrates. When installed in accordance with a tested firestop system, it affords code compliance for both through-penetrations and fire-rated joints.

#### Applicable Standards

UL 1479 (ASTM E-814)  
UL 263 (ASTM E-119)  
UL 723 (ASTM E-84)  
UL 2079 (ASTM E-1966)  
ASTM E-1399  
CAN4-S115M  
CAN/ULC-S101M

#### Packaging

10.1 oz (300 mL) cartridge, 20 oz (600 mL) sausage, 28.7 oz (850 mL) quart cartridge, 5 gal (19L) pail

#### Color

Rust Red, White, Limestone. Custom colors available upon request.

#### Availability

TREMstop Acrylic is readily available from your local Tremco Distributor or Sales Representative throughout the United States and Canada.

#### Dry Time

At 77°F (25°C), 50% RH, TREMstop Acrylic is tack free in 30 – 60 minutes and dries at a rate of about 1/8" per day. As the temperatures decrease, the dry time of TREMstop Acrylic will increase, generally one additional day for every 10°F decrease in temperature.

#### Surface Preparations

For good adhesion, the substrate must be sound, clean and dry. Any surface damage, dirt, dust, loose particles or other contaminants that may inhibit adhesion must be removed from the surfaces prior to application of the sealant.

Tremco recommends that surface temperatures be 40°F (5°C) or above at the time the sealant is applied. If sealant must be applied in temperatures below 40°F, please refer to the Tremco Guide for Applying Sealants in Cold Weather that can be found on our web site at [www.tremcosealants.com](http://www.tremcosealants.com).

#### Priming

Priming is not required.

#### Joint Design

TREMstop Acrylic has been successfully tested in one, two, three, and four hour fire-rated joints when applied at a thickness of 1/4" (6.3 mm) over proper backing materials. Please refer to the appropriate firestop system for proper installation. For a list of Tremco systems, please visit [www.tremcosealants.com/commercial/firestop](http://www.tremcosealants.com/commercial/firestop).

#### Joint Backing

Mineral wool, closed cell, or reticulated polyethylene backer rod is recommended as joint backing to control sealant depth and insure intimate contact of sealant with cavity wall when tooling. Certain types of backing material may be required by system. For additional information on firestop system components, please visit [www.tremcosealants.com/commercial/firestop](http://www.tremcosealants.com/commercial/firestop).

#### Application/Installation

TREMstop Acrylic is used in firestop systems and in sound rated assemblies. It is easy to apply using conventional caulking equipment.

#### Clean Up

Excess sealant and smears can be cleaned up or removed with soapy water before sealant skins. Any utensils used for tooling can also be cleaned with soapy water.

#### Limitations

- Not recommended for use with passive fire containment systems not listed or approved by Tremco.

#### Warranty

Tremco warrants its Firestop Materials to be free of defects, but makes no warranty as to appearance or color. Since methods of application and on-site conditions are beyond our control and can affect performance, Tremco makes no other warranty, expressed or implied, including warranties of MERCHANTABILITY and FITNESS FOR A PARTICULAR PURPOSE with respect to Firestop Materials. Tremco's sole obligation shall be, at its option, to replace or to refund the purchase price of the quantity of the Firestop Materials proved to be defective and Tremco shall not be liable for any loss or damage.

## TYPICAL PHYSICAL PROPERTIES

Property	Test Method	Results
Flame Spread	ASTM E-84	15
Smoke Develop	ASTM E-84	0
STC Rating	ASTM E-90	Restored to 56 in a U411 Wall
Movement Capability	UL 2079; class I, II, III	+/- 33%
pH		7-9
VOC Content	EPA Method 310	35 g/L
Shelf Life		Min. 1 year when stored at 40°-100°F (5°-43°C)
Hardness; Shore A	ASTM C-2240	15-20
Peel Strength, pli	ASTM C794	15-25 substrate dependent
Antifungal		Contains antifungal additive

## Commonly Used Tremco Systems

### System No. FF-D-1085

August 19, 2008

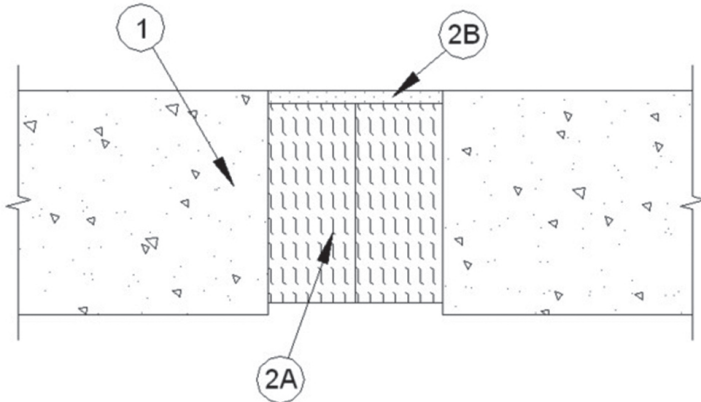
Assembly Rating – 2 Hr

L Rating at Ambient – Less than 1 CFM/Lin. Ft.

L Rating at 400° F – Less than 1 CFM/Lin. Ft.

Nominal Joint Width – 3 In.

Class II Movement Capabilities – 33% Compression and Extension  
(UL/cUL)



### System No. FW-D-1069

August 19, 2008

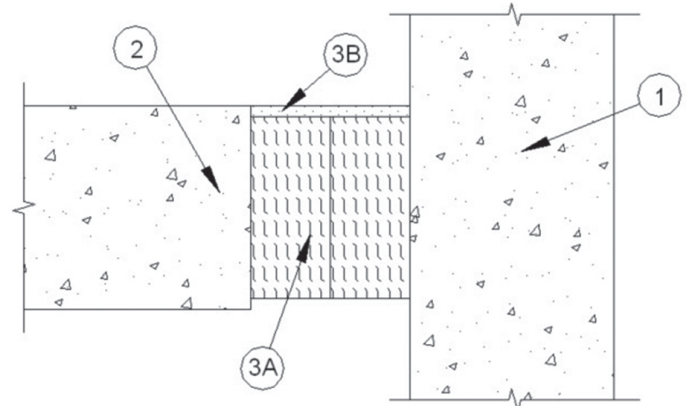
Assembly Rating – 2 Hr

L Rating at Ambient – Less than 1 CFM/Lin. Ft.

L Rating at 400° F – Less than 1 CFM/Lin. Ft.

Nominal Joint Width – 3 In.

Class II Movement Capabilities – 33% Compression and Extension  
(UL/cUL)



### System No. WW-D-1077

August 19, 2008

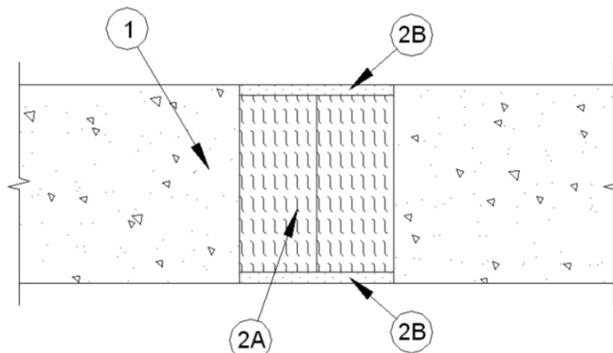
Assembly Rating – 2 Hr

L Rating at Ambient – Less than 1 CFM/Lin. Ft.

L Rating at 400° F – Less than 1 CFM/Lin. Ft.

Nominal Joint Width – 3 In.

Class II Movement Capabilities – 33% Compression and Extension  
(UL/cUL)



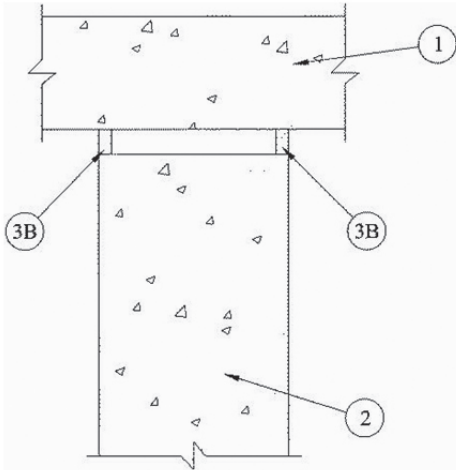
## System No. HW-D-0017

March 12, 2004

Assembly Rating – 2 Hr

Nominal Joint Width – 1 In.

Class II and III Movement Capabilities – 25% Compression  
(UL/cUL)



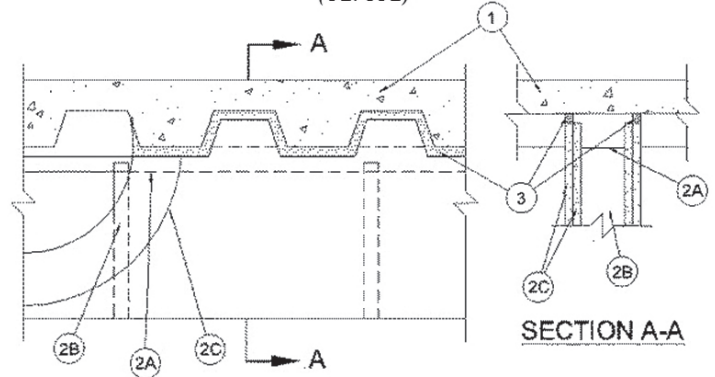
## System No. HW-D-0256

September 13, 2006

Assembly Ratings - 1 and 2 hr (See Items 2 and 3)

Nominal Joint Width - 1/2 in.

Class II and III movement capabilities -  
25 % compression or extension (See Items 2 and 3)  
(UL/cUL)



## System No. HW-D-1072

August 19, 2008

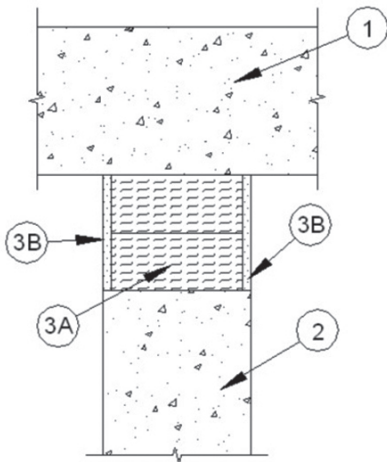
Assembly Rating – 2 Hr

L Rating at Ambient – Less than 1 CFM/Lin. Ft.

L Rating at 400° F – Less than 1 CFM/Lin. Ft.

Nominal Joint Width – 3 In.

Class II Movement Capabilities – 33% Compression and Extension  
(UL/cUL)



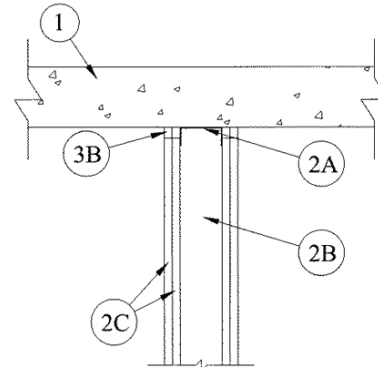
## System No. HW-D-0016

July 22, 2005

Assembly Ratings – 1 and 2 Hr (See Item 2)

Nominal Joint Width – 1 In.

Class II and III Movement Capabilities – 25% Compression (See Item 2)  
(UL/cUL)



FILL, VOID OR CAVITY MATERIAL FOR USE IN THROUGH-PENETRATION FIRESTOP SYSTEMS AND/OR JOINT SYSTEMS SEE UL FIRE RESISTANCE DIRECTORY 59S2



### Tremco Commercial Sealants & Waterproofing

3735 Green Road, Beachwood, OH 44122 // Phone: 216.292.5000 // 800.321.7906

220 Wicksteed Avenue, Toronto, ON M4H 1G7 // Phone: 416.421.3300 // 800.363.3213

1451 Jacobson Avenue, Ashland OH 44805 // Phone: 419.289.2050 // 800.321.6357