



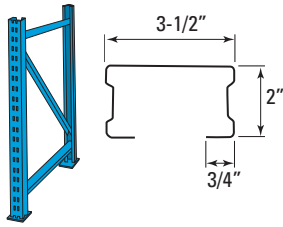
NORTH AMERICAN STEEL

NAS TRIPLE-A PALLET RACKING



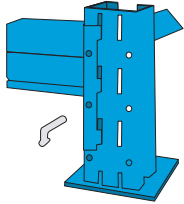
TRIPLE A
OVER 50 YEARS OF
DESIGN AND PRODUCTION
EXPERIENCE BUILT INTO IT





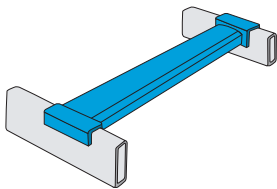
END FRAMES:

Medium Duty - Have a rating of 22,000 lbs. at 48" beam centres. Inquire about Heavy Duty Double-Posted End Frames.



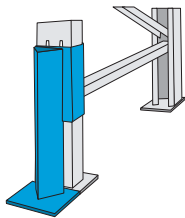
BOX BEAMS:

1-3/4" wide, choice of 3", 4", 6" high. Ideal for heavy pallet loading, for tunnel bays with 3-pallet loading or where reduced beam height is necessary.



HOOK-OVER SAFETY BARS:

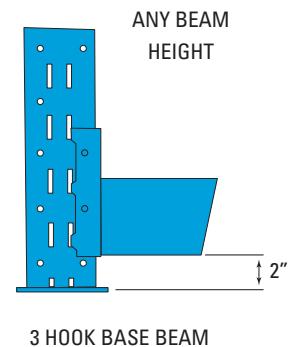
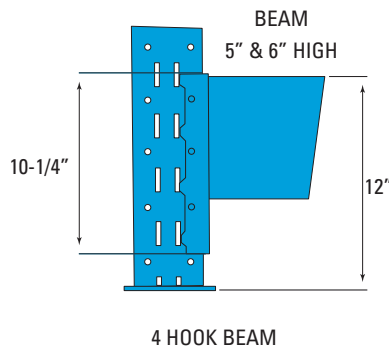
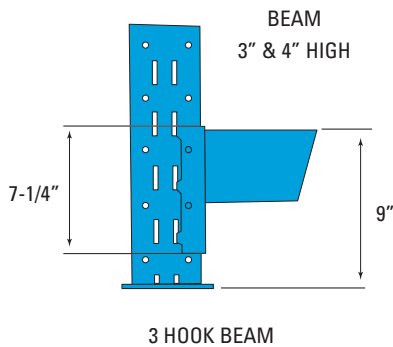
Provide support for skid loads as well as preventing beams from spreading on extra wide racks under heavy loads.



POST PROTECTORS:

Provides frame protection in heavy traffic areas.

SPECIALTY BEAMS AVAILABLE ON REQUEST



FINISH: HIGH PERFORMANCE POLYMER POWDER COATING

NORTH AMERICAN STEEL

300 Hopkins Street, Whitby, Ontario Canada L1N 2B9
 Phone: (905) 668-3300
 Toll Free: (800) 735-4153 Email: sales@naseco.ca
 Fax: (905) 668-5477 Web: www.naseco.ca