



NORTH AMERICAN STEEL

EASY-UP 5000 SHELVING

Industrial & Commercial Shelving combining strength, appearance & versatility



- **Totally boltless and clipless shelving**
- **Four interlocking components form a rigid unit**
- **Accessible from all four sides**
- **Shelves adjust independently on 1" centres**
- **Assembly in minutes without special tools**

EASY-UP 5000 SHELVING

ADVANCED FEATURES

NAS EASY-UP 5000 is the shelving of tomorrow here today, offering the looks of office shelving, the strength of industrial shelving and the economy of commercial shelving.

All shelves have 14 gauge beams front and back that adjust on 1" centres with capacities up to 1000 lbs. u.d.l. per shelf, (see type and size of shelf for individual capacity).

Square posts and -Z- crossmembers form a rigid 6000 lbs. capacity endframe for those highrise or mezzanine applications. The common 1 1/8" post gives you more linear inches of storage.

No cross-braces required, loads can be accessed from all sides, thus acting as double deep shelving at single depth cost.

EASY-UP 5000 offers the versatility of 3 types of shelves: economical particle board, durable painted malboard and extra strength steel shelves. Plus a wide range of accessories.

EASE OF INSTALLATION

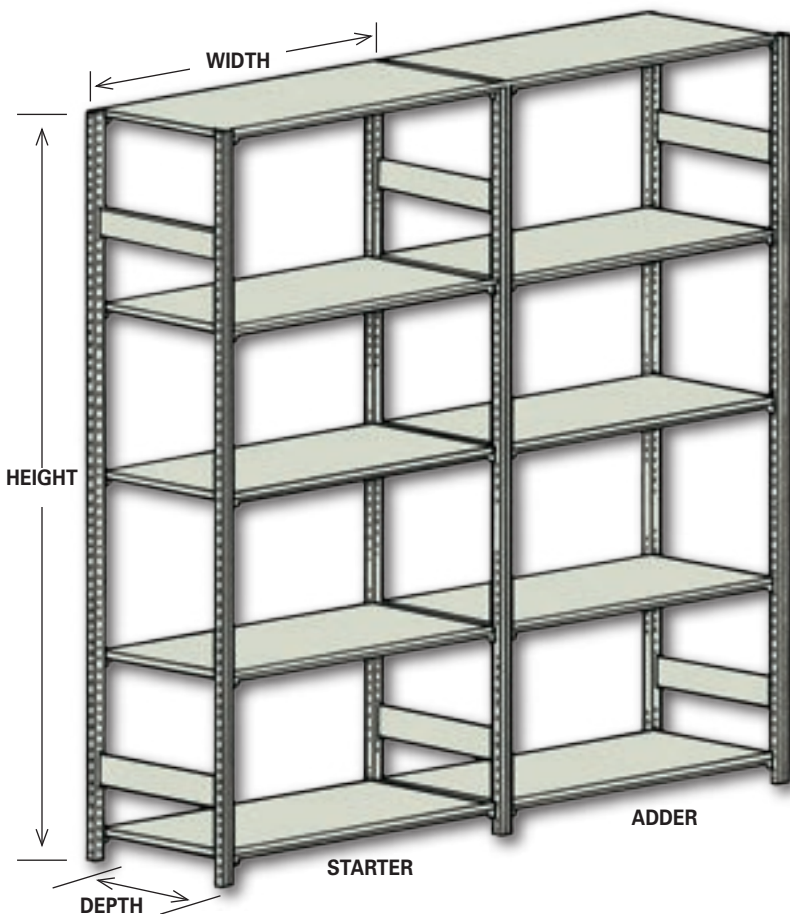
Designed for easy, trouble-free installations. Beams and crossmembers hook into post slots to form a rigid frame, and shelves just drop on to the beams. No nuts and bolts or clips required, thereby saving installation time and cost. Shelves can easily be adjusted or added to your system at any time.

Contact your NAS representative or dealer to design your storage area for maximum utilization, thus freeing up much needed floor space.

PRODUCT FINISH

Baked-on alkyd enamel over corrosion resistant phosphate undercoat.
Standard colour is Almond Beige.

FRAME COMPONENTS



THREE BASIS COMPONENTS

ENDFRAME: Consisting of two posts and two crossmembers for 74" & 86" heights and three for 96" height, achieving a load capacity of 6000 lbs. per endframe. Ideal for mezzanines, catwalks or highrise systems.

BEAMS: Front and back beams act as full length and reinforcements delivering that extra rigidity, strength and impact resistance.

SHELVES: Three types of shelves are available to compliment your specific application.

LAYOUT DETAIL

When engineering shelving layouts allow the following extras to accommodate outside frame dimensions: 1" for depth of unit, 1 1/4" for each frame used in shelving run. Shelves remain actual size. Standard Beams require only 1" shelf height and Heavy Duty Beams require 1 1/2" shelf height. Beams and Shelves adjust on 1" centres.

EASY-UP 5000 SHELVING

COMPONENTS

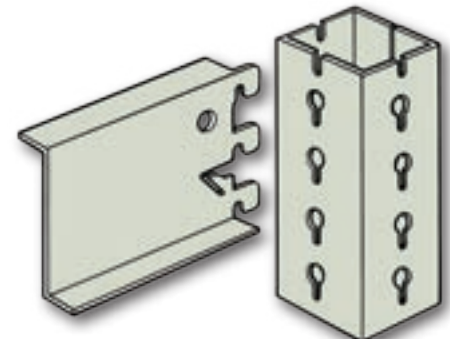


UPRIGHTS: UP 74, 86, 98"

Slots on 1" centres, covering 3 sides, clean front view. Marked on 6" centres for quick beam installation. Half slots on top for flush mounted top shelf.

FRAME CONNECTORS: FC 12, 15, 18, 24"

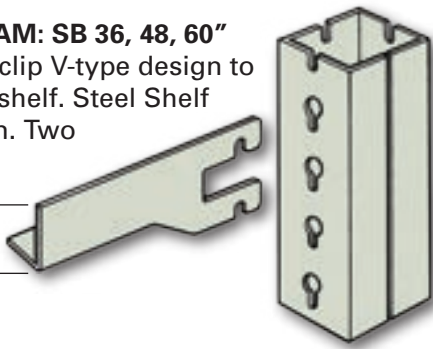
Frame connectors and uprights form a rigid endframe. Connectors are designed with a patented locking tab to be turned into the upright for safety and rigidity.



STANDARD BEAM: SB 36, 48, 60"

Double locking clip V-type design to support board shelf. Steel Shelf locks over beam. Two beams required per shelf.

1"



PARTICLEBOARD SHELVES

Industrial Grade 5/8" Particleboard, with 42 lbs. density guarantees a strong and smooth uniform surface.

Part No.	Size (in)	Capacity (lbs)
7150	12 x 36	600
7151	12 x 48	300
7152	12 x 60	200
7163	18 x 36	500
7164	18 x 48	300
7165	18 x 60	200
7174	24 x 36	300
7176	24 x 48	250
7177	24 x 60	200

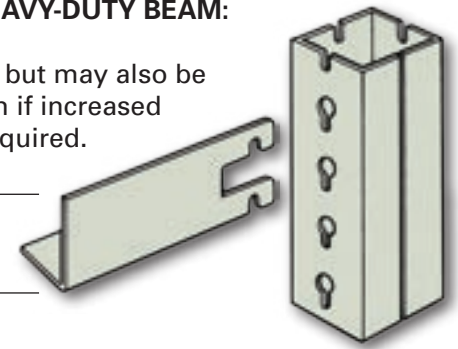
The natural particle board matches the colour of the beige steel components.

The Easy-Up 5000 shelving system combines industrial strength and durability with a clean appearance for office and retail applications.

BASEPLATE or HEAVY-DUTY BEAM: BP 36, 48, 60"

Used as kickplate, but may also be used as H.D. Beam if increased load capacity is required.

1 1/2"

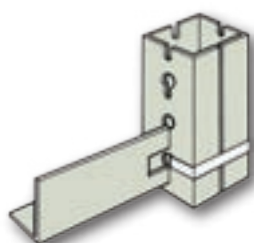


STEEL SHELVES

Full panel steel shelf with U-shaped front edge and full length beam offers strength and durability

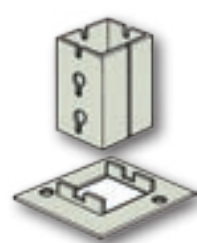
Part No.	Size (in)	Capacity (lbs)
5241	18 x 36	600
5242	18 x 48	500
5251	24 x 36	400
5252	24 x 48	400

Shelves lock over beams acting as front & back reinforcement increasing shelf capacity.



BEAM SAFETY CLIP

Spring Clip locks beam securely to post. Clips can be removed easily.



FOOT PLATES

Foot Plates clip into tube section of post to distribute weight on tile or wood floors



POST EXTENDERS

A pair of steel inserts designed to force-fit into hollow section of upright to extend height of post.



POST CAP

Plastic Post Cap to enhance appearance.



Pallet Racking Systems



Kwikerec Bolted Steel Shelving



New Lockers

AUTHORIZED DISTRIBUTOR:

**With 50 Years
Manufacturing Experience
NORTH AMERICAN STEEL
is the leading name for
Innovative Storage Ideas**

NORTH AMERICAN STEEL

300 Hopkins Street, Whitby, Ontario Canada L1N 2B9
Phone: (905) 668-3300
Toll Free: (800) 735-4153 Email: sales@naseco.ca
Fax: (905) 668-5477 Web: www.naseco.ca

NORTH AMERICAN STORAGE

2103 – 7th Street, Nisku, Alberta, Canada T9E 7Y3
Phone: (780) 955-2444
Toll Free: (800) 241-8968 Email: sales@naseco.com
Fax: (780) 955-3463/673.66 Web: www.naseco.ca