

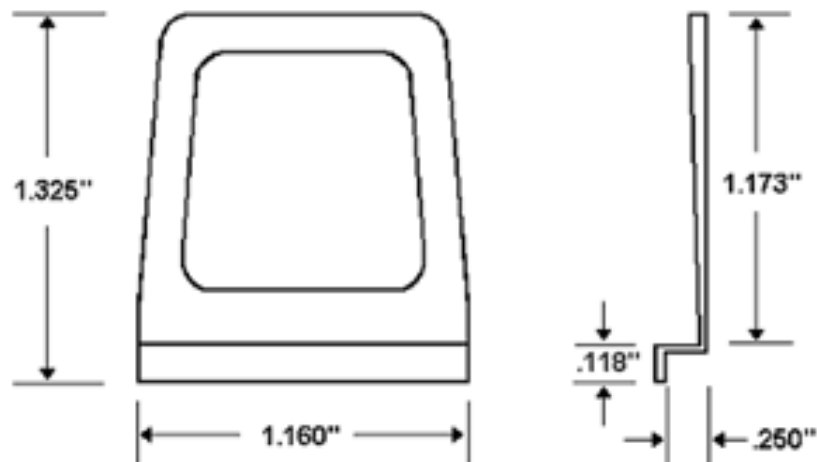


## SELF RETAINING SCREEN PULL .250 OFFSET



USED AS A PULL TO REMOVE THE SCREEN FROM THE WINDOW.

PART NUMBER	DIMENSIONS	COLOR	PACKING QTY
SP250BL	SEE BELOW	BLACK	7,500
SP250NT	SEE BELOW	NATURAL	7,500





## SCREEN RETAINER

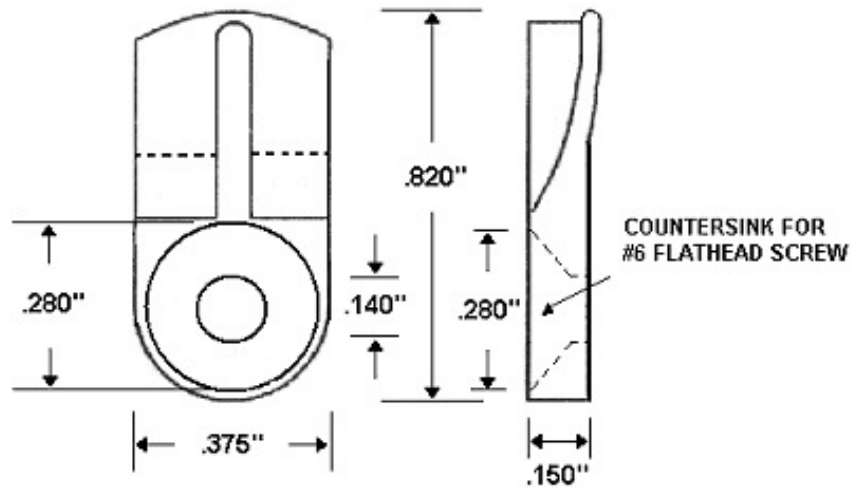
0566-169-NY-NT-10



USED TO HOLD THE SCREEN IN PLACE, TURN BUTTONS ALSO ENABLE EASY REMOVAL OF THE SCREEN FOR CLEANING OF WINDOWS ETC.

PACKING QUANTITY OPTIONAL

PART NUMBER	DIMENSIONS	MATERIAL	COLOR
0566-169-NY-NT-10	SEE BELOW	NYLON	NATURAL



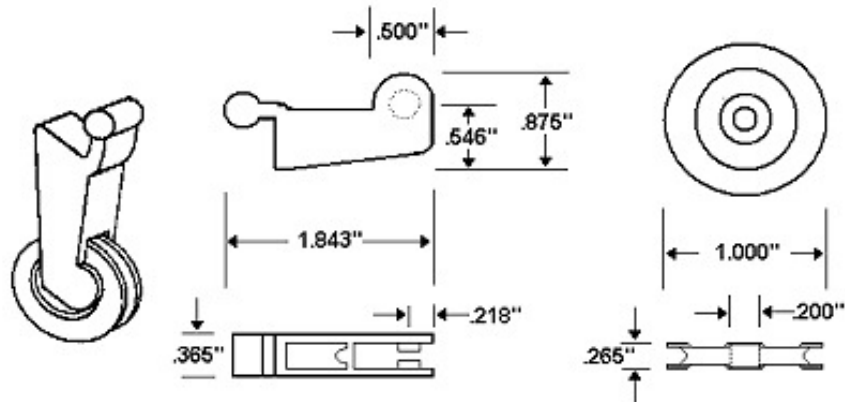


# PATIO SCREEN DOOR BOGIE WHEEL 0895-211-NY-NT-10



USED TOGETHER WITH THE "WHEEL HOUSING" ON THE BOTTOM OF THE DOOR, THESE PARTS ALLOW FOR SMOOTH, QUIET OPERATION OF PATIO SCREEN DOORS.

PART NUMBER	DIMENSIONS	MATERIAL	COLOR
0895-211-NY-NT-10	SEE BELOW	NYLON	NATURAL





# PATIO SCREEN DOOR BOGIE WHEEL HOUSING

1124-151-NY-NT-10



USED TOGETHER WITH THE "WHEEL" ON THE BOTTOM OF THE DOOR, THESE PARTS ALLOW FOR SMOOTH, QUIET OPERATION OF PATIO SCREEN DOORS.

PART NUMBER	DIMENSIONS	MATERIAL	COLOR
1124-151-NY-NT-10	SEE BELOW	NYLON	NATURAL

